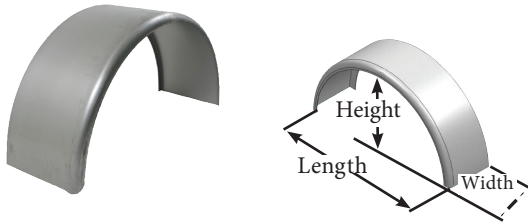




Round Fenders



- Single-wheel trailer fenders
 - Wheel sizes are general recommendations.
- Trailer design and clearance may cause interference.

| ITEM# | width | length | height | metal | gauge | finish | wheel size* | Price |
|-------|----------------------|--------|--------|-------|-------|--------|-------------|---------|
| TF962 | 7" | 28" | 10" | Steel | 16 | smooth | 12" | \$21.95 |
| TF965 | 9" | 32" | 15" | Steel | 16 | smooth | 15" | \$78.95 |
| | •with back installed | | | | | | | |
| TF964 | 9" | 32" | 15½" | Steel | 16 | smooth | 15" | \$31.95 |
| TF966 | 10¾" | 32" | 15½" | Alum | .090" | smooth | 15" | \$44.95 |
| TF967 | 10¾" | 32" | 15½" | Steel | 16 | smooth | 15" | \$29.95 |

Utility Fenders



- Single-wheel trailer fenders

| ITEM# | width | length | height | metal | gauge | finish | wheel size* | Price |
|-------|-------|--------|--------|-------|-------|------------|-------------|---------|
| TF952 | 10" | 28" | 8" | Steel | 16 | smooth | 13" | \$27.95 |
| TF954 | 10" | 36" | 19¼" | Alum | .090" | smooth | 16" | \$59.95 |
| TF955 | 10" | 36" | 19¼" | Alum | .100" | treadplate | 16" | \$78.95 |

Fender Backs

- Single-wheel trailer fenders

| ITEM# | fits | height | style | metal | gauge | finish | Price |
|-------|-----------------------|--------|----------|-------|-------|--------|---------|
| TF990 | fits 32" long fenders | 12" | Round | Steel | 18 | smooth | \$14.95 |
| TF996 | fits TF969 | 12" | Teardrop | Steel | 18 | smooth | \$26.95 |
| TF994 | fits TF970/972/977 | 12" | Teardrop | Steel | 18 | smooth | \$27.95 |
| TF998 | fits TF982/983 | 12" | Teardrop | Alum | .056" | smooth | \$63.95 |
| TF995 | fits TF978 | 12" | Utility | Steel | 18 | smooth | \$27.95 |
| TF949 | fits TF948 | 12" | Jeep | Steel | 14 | smooth | \$24.95 |

Fender Shipping

- Zone A shipping:
 - Single-axle fenders; standard shipping policy on page 186
 - 1 or 2 tandem fenders; UPS ground for \$140 or LTL for \$110
 - Exception: TF969 ships UPS ground for \$65
 - See LTL delivery requirements on page 186
- Zone B & C shipping:
 - Please call for quote.
 - Zone map on page 186

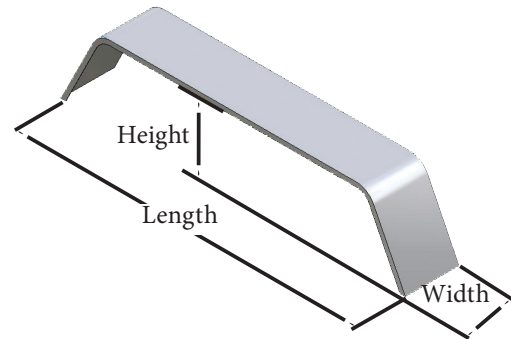
Teardrop Fenders



- Tandem-wheel trailer fenders
 - Wheel sizes are general recommendations.
- Trailer design and clearance may cause interference.

| ITEM# | width | length | height | metal | gauge | finish | wheel size* | Price |
|--------|----------------------|--------|--------|-------|-------|------------|-------------|----------|
| TF969 | 9" | 66" | 18" | Steel | 16 | smooth | 15" | \$63.95 |
| TF9691 | 9" | 66" | 18" | Alum | .090" | smooth | 15" | \$103.95 |
| TF970 | 9" | 72" | 20½" | Steel | 16 | smooth | 16" | \$66.95 |
| TF972 | 9" | 72" | 20½" | Steel | 16 | smooth | 16" | \$113.00 |
| | •with back installed | | | | | | | |
| TF982 | 9" | 72" | 20" | Alum | .100" | treadplate | 16" | \$149.95 |
| TF983 | 9" | 72" | 20" | Alum | .090" | smooth | 16" | \$107.95 |
| TF988 | 10¾" | 72" | 20" | Alum | .090" | smooth | 16" | \$117.95 |
| TF977 | 10¾" | 72" | 20" | Steel | 14 | treadplate | 16" | \$106.95 |

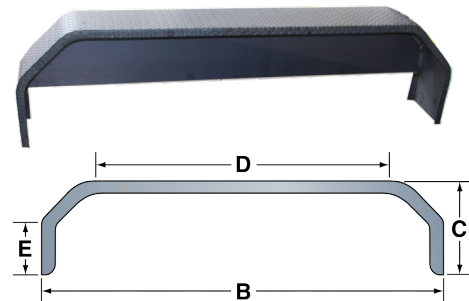
Utility Fenders



- Tandem-wheel trailer fenders

| ITEM# | width | length | height | metal | gauge | finish | wheel size* | Price |
|-------|-------|--------|--------|-------|-------|------------|-------------|---------|
| TF968 | 10" | 69" | 19¼" | Steel | 16 | smooth | 14" | \$47.95 |
| TF978 | 10" | 72" | 20" | Steel | 14 | treadplate | 15" | \$68.95 |

Multi-Bend Utility Fenders



| ITEM# | width | B | D | C | E | metal | ga | finish | whl size | Price |
|-------|----------------------|-----|-----|-----|-----|-------|----|------------|----------|----------|
| TF945 | 9" | 72" | 55" | 18" | 10" | Steel | 14 | treadplate | 15" | \$76.95 |
| TF948 | 10" | 72" | 55" | 18" | 10" | Steel | 14 | treadplate | 15" | \$76.95 |
| TF950 | 10" | 72" | 55" | 18" | 10" | Steel | 14 | treadplate | 15" | \$107.95 |
| | •with back installed | | | | | | | | | |

Trailer Wheel & Tire Assemblies



Plain White



Spoke White



Mod Aluminum

- Includes trailer tire & wheel
- High speed bias = "D" or radial ="R"
- TW03128- order TWP998 center cap & TWP965 nuts
- TW05119- order TWP988 center cap & TWP989 nuts
- Occasional tire brand substitutes may occur

| ITEM# | Dia. | Tire | Load Range | Bolt Circle | Wheel Style | Weight Capacity | Price |
|---------|------|-------------------------------------|------------|-------------|----------------------------|-----------------|----------|
| TW12223 | 8" | 480-8 Kenda Loadstar | C | 4-4" | Plain White | 760 | \$30.95 |
| TW14223 | 8" | 570-8 Kenda Loadstar | C | 4- 4" | Plain White | 900 | \$38.95 |
| TW14523 | 8" | 570-8 Kenda Loadstar | C | 5- 4½" | Plain White | 900 | \$38.95 |
| TW24313 | 12" | 480-12 Kenda Loadstar | C | 5-4½" | Spoke White | 990 | \$63.99 |
| TW22313 | 12" | 480-12 Kenda Loadstar | C | 4-4" | Spoke White | 990 | \$63.99 |
| TW26313 | 12" | 530-12 Kenda Loadstar | C | 4-4" | Spoke White | 1,045 | \$72.95 |
| TW28313 | 12" | 530-12 Kenda Loadstar | C | 5-4½" | Spoke White | 1,045 | \$72.95 |
| TW34324 | 13" | ST175/80D13 Kenda Loadstar K550 | C | 5-4½" | Spoke White | 1,360 | \$96.95 |
| TW42323 | 14" | ST205/75D14 Kenda Loadstar K558 | C | 5-4½" | Spoke White | 1,760 | \$111.95 |
| TW48679 | 14½" | ST205/85D14.5 Hercules/ Low Pro/ HD | G | clamp-on | Mobile Home/UTG | 3,086 | \$197.95 |
| TW48675 | 14½" | ST205/85D14.5 Hercules/ Low Pro/ HD | G | 8-6½" | Grey | 3,086 | \$336.95 |
| TW52476 | 15" | ST205/75R15 Kenda Karrier KR35 | D | 5-4½" | Mod Black | 2,200 | \$115.95 |
| TW52453 | 15" | ST205/75D15 Kenda Loadstar K558 | C | 5-4½" | Mod Silver | 1,820 | \$111.95 |
| TW52456 | 15" | ST205/75R15 Kenda Karrier KR35 | D | 5-4½" | Mod Silver | 2,200 | \$115.95 |
| TW52323 | 15" | ST205/75D15 Kenda Loadstar K558 | C | 5-4½" | Spoke White | 1,820 | \$112.95 |
| TW52324 | 15" | ST205/75R15 Kenda Karrier KR35 | C | 5-4½" | Spoke White | 1,820 | \$114.95 |
| TW56326 | 15" | ST225/75R15 Kenda Karrier KR35 | D | 5-4½" | Spoke White | 2,200 | \$139.95 |
| TW53744 | 15" | ST205/75R15 Kenda Karrier KR35 | C | 5-4½" | Series 7 Black Alum | 1,820 | \$200.95 |
| TW53324 | 15" | ST205/75R15 Kenda Karrier KR35 | C | 5-4½" | Silver/Black, 5 star, Alum | 1,820 | \$174.95 |
| TW58458 | 15" | ST225/75R15 Kenda Karrier KR35 | E | 6-5½" | Mod Silver | 2,860 | \$139.95 |
| TW58326 | 15" | ST225/75R15 Kenda Karrier KR35 | D | 6-5½" | Spoke White | 2,540 | \$139.95 |
| TW58328 | 15" | ST225/75R15 Kenda Karrier KR35 | E | 6-5½" | Spoke White | 2,860 | \$139.95 |
| TW59119 | 15" | ST225/75R15 Goodride ST200 | E | 6-5½" | Mod Aluminum | 2,830 | \$226.95 |
| TW64476 | 16" | ST235/80R16 Kenda Karrier KR35 | E | 8-6½" | Mod Black | 3,500 | \$177.95 |
| TW64326 | 16" | ST235/80R16 Goodride ST200 | E | 8-6½" | Spoke White | 3,500 | \$178.95 |
| TW65119 | 16" | ST235/80R16 Goodride CR960A | G | 8-6½" | Mod Aluminum | 4,080 | \$289.95 |
| TW68476 | 16" | ST235/85R16 Kenda Karrier KR35 | E | 8-6½" | Mod Black | 3,640 | \$196.95 |
| TW64456 | 16" | ST235/80R16 Goodride ST200 | E | 8-6½" | Mod Silver | 3,500 | \$198.95 |
| TW68456 | 16" | ST235/85R16 Kenda Karrier KR35 | E | 8-6½" | Mod Silver | 3,640 | \$196.95 |
| TW68469 | 16" | ST235/85R16 Triangle- all steel | G | 8-6½" | Mod Silver | 4,400 | \$313.95 |
| TW68326 | 16" | ST235/85R16 Kenda Karrier KR35 | E | 8-6½" | Spoke White | 3,640 | \$197.95 |
| TW65429 | 16" | ST235/80R16 Goodride CR960A | G | 8-6½" | Series 7 Black Alum | 4,080 | \$294.95 |
| TW03128 | 17½" | LT215/75R17.5 Durun/ YTH4 | H | 8-6½" | Mod Aluminum | 4,850 | \$469.95 |
| TW05119 | 17½" | ST235/75R17.5 Goodride CR960A | J | 8-6½" | Mod Aluminum | 6,005 | \$555.95 |



Low Profile Wheel & Tire



- High speed bias
- Replaces 20.5x8-10
- Includes trailer tire & wheel
- Plain silver wheel

| ITEM# | size | load range | bolt circle | weight capacity | bore | Price |
|---------|---------------|------------|-------------|-----------------|------|---------|
| TW19553 | 10" 205/65-10 | C | 5-4½" | 1,100 | 2.84 | \$75.95 |

Trailer Tires



- 1-Year unlimited warranty from date of purchase
- 5-Year limited warranty from manufacture date
- High speed bias = "D" or radial = "R"
- TW7648/7729/7749: all steel, Triangle tire brand

| ITEM# | size | load range | Single weight capacity | Dual weight capacity | Price |
|--------|---------------------|------------|------------------------|----------------------|----------|
| TW7223 | 12" 480-12 | C | 990 | | \$31.95 |
| TW7243 | 12" 530-12 | C | 1,045 | | \$61.95 |
| TW7424 | 14" ST205/75/R14 | C | 1,925 | | \$79.95 |
| TW7649 | 14½" LT8-14.5 | G | 3,072 | | \$176.95 |
| TW7523 | 15" ST205/75/D15 | C | 1,820 | | \$78.95 |
| TW7526 | 15" ST205/75/R15 | D | 2,200 | | \$84.95 |
| TW7566 | 15" ST225/75/R15 | D | 2,540 | | \$98.95 |
| TW7568 | 15" ST225/75/R15 | E | 2,830 | | \$99.95 |
| TW7624 | 16" ST235/80/R16 | E | 3,500 | 3,197 | \$128.95 |
| TW7644 | 16" ST235/85/R16 | E | 3,640 | 3,200 | \$141.95 |
| TW7648 | 16" ST235/85/R16 | G | 4,400 | 3,860 | \$251.95 |
| TW7729 | 17.5" ST215/75R17.5 | H | 4,806 | 4,540 | \$249.95 |
| TW7749 | 17.5" ST235/75R17.5 | H | 6,010 | 5,675 | \$289.95 |

SuperSprings Trailer Suspension See page 149



SuperSprings Vehicle Suspension See page 149



Spoke Steel Wheels



TW85637



TW85632

•2 Year Limited Warranty

| ITEM# | size | bolt circle | style | weight capacity | bore | Price |
|---------|----------|-------------|--------|-----------------|------|---------|
| TW83422 | 13"x4.5" | 5-4½" | white | 1,725 | 3.19 | \$35.95 |
| TW84222 | 14"x5.5" | 5-4½" | white | 2,200 | 3.19 | \$40.95 |
| TW85222 | 15"x5" | 5-4½" | white | 2,200 | 3.19 | \$42.95 |
| TW85225 | 15"x5" | 5-4½" | silver | 2,150 | 3.19 | \$41.95 |
| TW85232 | 15"x6" | 5-4½" | white | 2,200 | 3.19 | \$44.95 |
| TW85432 | 15"x6" | 5-5" | white | 2,200 | 3.19 | \$44.95 |
| TW85632 | 15"x6" | 6-5½" | white | 2,860 | 4.27 | \$44.95 |
| TW85635 | 15"x6" | 6-5½" | silver | 2,860 | 4.27 | \$43.95 |
| TW85637 | 15"x6" | 6-5½" | black | 2,860 | 4.27 | \$43.95 |
| TW86222 | 16"x6" | 6-5½" | white | 3,520 | 4.27 | \$59.95 |
| TW86622 | 16"x6" | 8-6½" | white | 3,750 | 4.90 | \$59.95 |
| TW86627 | 16"x6" | 8-6½" | black | 3,750 | 4.90 | \$58.95 |

Mod Steel Wheels



TW85245



TW86636

•2 Year Limited Warranty

| ITEM# | size | bolt circle | style | weight capacity | bore | Price |
|---------|----------|-------------|--------|-----------------|------|---------|
| TW84235 | 14"x5.5" | 5-4½" | silver | 2,040 | 3.19 | \$40.95 |
| TW85247 | 15"x5" | 5-4½" | black | 2,200 | 3.19 | \$41.95 |
| TW85445 | 15"x5" | 5-5" | silver | 2,200 | 3.19 | \$41.95 |
| TW85447 | 15"x5" | 5-5" | black | 2,200 | 3.19 | \$41.95 |
| TW85257 | 15"x6" | 5-4½" | black | 2,200 | 3.19 | \$43.95 |
| TW85657 | 15"x6" | 6-5½" | black | 2,830 | 4.27 | \$43.95 |
| TW86237 | 16"x6" | 6-5½" | black | 3,050 | 4.27 | \$58.95 |
| TW86636 | 16"x6" | 8-6½" | black | 3,750 | 4.90 | \$58.95 |
| TW86637 | 16"x6" | 8-6½" | black | 4,400 | 4.90 | \$67.95 |
| TW85245 | 15"x5" | 5-4½" | silver | 2,200 | 3.19 | \$41.95 |
| TW85255 | 15"x6" | 5-4½" | silver | 2,200 | 3.19 | \$43.95 |
| TW85655 | 15"x6" | 6-5½" | silver | 2,860 | 4.27 | \$43.95 |
| TW86235 | 16"x6" | 6-5½" | silver | 3,050 | 4.27 | \$59.95 |
| TW86634 | 16"x6" | 8-6½" | silver | 3,750 | 4.90 | \$58.95 |
| TW86635 | 16"x6" | 8-6½" | silver | 4,400 | 4.90 | \$67.95 |

Mod Aluminum Wheels



TW87712

- Mod Aluminum
- Center cap & nuts sold separately
- TW86711, 0.315" negative, outset
- Inset = Positive [+] moves tires towards the centerline of the trailer.
- Outset = Negative [-] moves tire away from centerline of the trailer.
- TW87711- order TWP998 center cap & TWP965 nuts
- TW87712- order TWP988 center cap & TWP989 nuts

| ITEM# | size | bolt circle | weight capacity | bore | Price |
|---------|---|-------------|-----------------|------|----------|
| TW84311 | 14"x5" | 5-4½" | 2040 | 3.19 | \$120.95 |
| TW85311 | 15"x6" | 5-4½" | 2150 | 3.19 | \$128.95 |
| TW85711 | 15"x6" | 6-5½" | 2860 | 4.25 | \$128.95 |
| TW86311 | 16"x7" | 6-5½" | 3200 | 4.25 | \$160.95 |
| TW86711 | 16"x7" | 8-6½" | 3960 | 4.90 | \$155.95 |
| TW87711 | 17.5"x6.75" | 8-6½" | 4850 | 4.90 | \$234.95 |
| TW87712 | 17.5"x6.75" | 8-6½" | 6050 | 4.77 | \$225.95 |
| TWP988 | 8-lug center cap(only fits TWP989 wheel nuts) \$50.95 | | | | |
| TWP989 | ⅝" swiveling flange wheel nut, 15/16" hex \$4.99 | | | | |

Series 7 Spoke Black Aluminum Wheels



TW85774

•Center cap & nuts sold separately

| ITEM# | size | bolt circle | weight capacity | bore | Price |
|---------|--------|-------------|-----------------|------|----------|
| TW85374 | 15"x5" | 5-4½" | 2150 | 3.19 | \$123.95 |
| TW85774 | 15"x6" | 6-5½" | 2830 | 4.25 | \$131.95 |
| TW86774 | 16"x6" | 8-6½" | 3960 | 4.90 | \$168.95 |



5 Star Black Aluminum Wheels



TW83531

•Center cap & nuts sold separately

| ITEM# | size | bolt circle | weight capacity | bore | Price |
|---------|--------|-------------|-----------------|------|----------|
| TW83531 | 13"x5" | 5-4½" | 1,660 | 3.19 | \$105.95 |
| TW84331 | 14"x5" | 5-4½" | 2,040 | 3.19 | \$120.95 |
| TW85331 | 15"x5" | 5-4½" | 1,820 | 3.19 | \$117.95 |
| TW85731 | 15"x6" | 6-5½" | 2,860 | 4.25 | \$131.95 |
| TW86731 | 16"x6" | 8-6½" | 3,960 | 4.90 | \$163.95 |

Split Black Aluminum Wheels



TW85323



TW87723

•Center cap & nuts sold separately

•TW87723: Must use TWP987 center cap & TWP989 nuts, sold separately

| ITEM# | size | bolt circle | weight capacity | bore | Price |
|---------|--|-------------|-----------------|------|----------|
| TW85323 | 15"x6" | 5-4½" | 2,150 | 3.19 | \$128.95 |
| TW85723 | 15"x6" | 6-5½" | 2,860 | 4.25 | \$132.95 |
| TW86723 | 16"x6" | 8-6½" | 3,960 | 4.90 | \$178.95 |
| TW87723 | 17.5"x 6.75" | 8-6½" | 4,850 | 4.90 | \$232.95 |
| TWP987 | 8-lug center cap (only fits TWP989 wheel nuts) | | | | \$43.95 |
| TWP989 | 5/8" swiveling flange wheel nut, 15/16" hex | | | | \$4.99 |

Series 9 Black Aluminum Wheel



•Center cap & nuts sold separately

| ITEM# | size | bolt circle | weight capacity | bore | Price |
|---------|--------|-------------|-----------------|-------|----------|
| TW85324 | 15"x5" | 5-4½" | 2,150 | 3.19" | \$120.95 |

Series 8 Black Aluminum Wheel



•Center cap included

| ITEM# | size | bolt circle | weight capacity | bore | Price |
|---------|--|-------------|-----------------|------|----------|
| TW85384 | 15"x5" | 5-4½" | 1,820 | 3.19 | \$116.95 |
| TWP993 | Replacement center cap for Series 8 black, 5 lug | | | | \$29.95 |

Series 10 Silver Aluminum Wheel



•Center cap & nuts sold separately

| ITEM# | size | bolt circle | weight capacity | bore | Price |
|---------|--|-------------|-----------------|------|----------|
| TW87792 | 17.5"x6.75" | 8-6½" | 4,850 | 4.77 | \$232.95 |
| TWP987 | 8-lug center cap (only fits TWP989 wheel nuts) | | | | \$43.95 |
| TWP989 | 5/8" swiveling flange wheel nut, 15/16" hex | | | | \$4.99 |

Series 5 Black Aluminum Wheel



•Center cap & nuts sold separately

| ITEM# | size | bolt circle | weight capacity | bore | Price |
|---------|--------|-------------|-----------------|------|---------|
| TW81722 | 10"x6" | 5-4½" | 1,765 | 3.19 | \$84.95 |



GEN-Y ADMIRAL
Trailer Couplers
See page 28

17.5" Alcoa Dual Wheel



TW87842



TWP990

•TW87842/TWP990: special order, call for availability

| ITEM# | size | bolt circle | hub pilot | weight capacity | Price |
|---------|---|-------------|-----------|-----------------|----------|
| TW87842 | 17.5"x6.75" | 8-275mm | 8.709 | 5510 | \$442.00 |
| TWP990 | 17.5" center cap | | | | \$89.95 |
| TWP971 | Alcoa 5/8" Swiveling flange nut | | | | \$5.99 |
| TWP970 | Hug-A-Lug Chrome Nut Cover, fits TWP971 | | | | \$8.99 |

16" Steel Dual Wheel



•Grey E-coat finish

| ITEM# | size | bolt circle | hub pilot | weight capacity | Price |
|---------|--------|-------------|-----------|-----------------|---------|
| TW86645 | 16"x6" | 8-6½" | 4.77" | 3500 | \$95.95 |

17.5" Steel Wheels



TW87610



TW87635

- SG = solid gray
- MS = mod silver
- TW87610 typically not enough clearance for disc brakes
- TW87635 works with most disc brakes
- Inset = Positive [+] moves tires towards the centerline of the trailer.
- Outset = Negative [-] moves tire away from centerline of trailer

| ITEM# | size | bolt circle | style | capacity | offset | bore | Price |
|---------|-------------|-------------|-------|----------|------------|------|---------|
| TW87610 | 17.5"x6.75" | 8-6½" | SG | 6,005 | .19 inset | 4.76 | \$93.95 |
| TW87635 | 17.5"x6.75" | 8-6½" | MS | 6,005 | .50 outset | 4.76 | \$93.95 |

Wheel Nut Torque Requirements

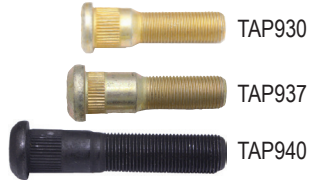
•Check & re-torque after the first 10 miles, 25 miles, & again at 50 miles. Check periodically thereafter.

| Wheel size | Stud size | Torque | Cone nut degree |
|------------|-----------|-----------------|---|
| 12"-13" | ½" -20 | 60-75 ft lbs. | 60° cone nut |
| 14"-16" | ½" -20 | 100-120 ft lbs. | 60° cone nut |
| 16" | 5/16" -18 | 140-170 ft lbs. | 60° cone nut |
| 17.5" | 3/8" -18 | 190-210 ft lbs. | Hub Piloted w/ clamp ring, 90° cone nuts & grease threads |
| 17.5" | 3/8" -18 | 275-325 ft lbs. | Hub Piloted w/ flange nut |
| 17.5" | 3/8" -18 | 150-175 ft lbs. | Hub Piloted w/ swivel flange nut |



Wheel Studs & Nuts

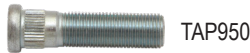
Dexter Wheel Studs



- TAP944/930: Fits most Dexter hubs up to 6K; 7K prior to Jan '04
- TAP945/931: Fits most 7K Dexter hubs after Jan '04
- TAP941 fits most Dexter 7.2K & 8K NevRLube & 7K disc & 7.2K drum
- TAP937/939: Fits Dexter 7-8K drum
- TAP942/940: Fits Dexter 8K disc

| ITEM# | MFG# | Stud size | Flute dia. | Finish | Price |
|--------|------------|------------------|------------|--------|--------|
| TAP944 | 007-122-00 | 1/2"-20 x 2.00" | .62" | black | \$4.79 |
| TAP930 | 007-122-01 | 1/2"-20 x 2.00" | .62" | zinc | \$7.59 |
| TAP945 | 007-262-00 | 1/2"-20 x 2.65" | .54" | black | \$5.39 |
| TAP931 | 007-262-01 | 1/2"-20 x 2.65" | .54" | zinc | \$7.89 |
| TAP941 | 007-223-00 | 5/16"-18 x 2.01" | .69" | zinc | \$6.09 |
| TAP937 | 007-132-00 | 5/16"-18 x 2.30" | .69" | zinc | \$6.49 |
| TAP942 | 007-257-00 | 5/16"-18 x 2.50" | .69" | zinc | \$7.99 |
| TAP939 | 007-232-00 | 5/8"-18 x 2.75" | .69" | black | \$7.59 |
| TAP940 | 007-115-00 | 5/8"-18 x 3.46" | .69" | black | \$7.29 |

Wheel Studs



- Fits most Lippert and Axletek hubs
- TAP952/958: Fits Lippert 8K drums

| | | | | |
|--------|------------------|----------------------|-------|--------|
| TAP951 | 1/2"-20 x 2.00" | .62" flute diameter | zinc | \$1.99 |
| TAP950 | 5/16"-18 x 2.31" | .617" flute diameter | zinc | \$2.99 |
| TAP952 | 5/16"-18 x 2.31" | .69" flute diameter | zinc | \$3.99 |
| TAP958 | 5/8"-18 x 2.75" | .69" flute diameter | black | \$5.09 |
| TAP959 | 5/8"-18 x 3.10" | .69" flute diameter | black | \$3.59 |
| TAP957 | 5/8"-18 x 3.46" | .69" flute diameter | black | \$5.99 |

AL-KO Wheel Stud



- Fits AL-KO and Hayes hubs

| | | | | |
|--------|------------------|---------------------|-------|--------|
| TAP933 | 1/2"-20 x 2.00" | .54" flute diameter | zinc | \$4.09 |
| TAP936 | 5/16"-18 x 2.82" | .63" flute diameter | black | \$6.99 |
| TAP938 | 5/8"-18 x 3.00" | .68" flute diameter | black | \$7.79 |

Wheel Stud Kits



TAP9512



- Retail packaged kits

| | | | |
|---------|-----------------------------------|----------------------|---------|
| TAP9512 | (6) wheel studs, 1/2"-20 x 2.00" | .617" flute diameter | \$10.25 |
| TAP9502 | (4) wheel studs, 5/16"-18 x 2.31" | .617" flute diameter | \$10.25 |

Premium Stainless Capped Wheel Nuts



- Ideal for use with aluminum wheels
- Known for not separating when used with impact wrenches

| | | |
|--------|---|--------|
| TWP962 | 1/2"-20 x 1 3/8" Stainless Steel, 3/4" wrench size | \$2.09 |
| TWP960 | 1/2"-20 x 1 7/8" Stainless Steel, 7/8" wrench size | \$3.39 |
| TWP965 | 5/16"-18 x 1 7/8" Stainless Steel, 7/8" wrench size | \$3.39 |

1/2" Wheel Nuts



- TWP961/ TWP9612: 96 hour salt spray grade
- | | | |
|---------|--|--------|
| TWP963 | Wheel Nut 1/2"-20, 60° cone, 1 3/16" wrench size | \$0.56 |
| TWP961 | Chrome Wheel Nut 1/2"-20 x 1 1/2", 1 3/16" wrench size | \$1.85 |
| TWP9612 | Chrome Wheel Nut 1/2"-20 x 1 7/8", 1 3/16" wrench size | \$1.99 |

9/16" Wheel Nuts



- | | | |
|--------|---|--------|
| TWP972 | Wheel Nut 9/16"-18, 60° cone, 7/8" wrench size | \$0.79 |
| TWP973 | Chrome Wheel Nut 9/16"-18 x 1 7/8", 7/8" wrench size | \$2.19 |
| TWP967 | Wheel Nut 9/16"-18, swiveling flange | \$3.99 |
| TWP970 | Hug-A-Lug chrome nut cover for TWP967 covers 1 1/4" hex | \$8.99 |

5/8" Wheel Nuts



- TWP880: to be used with TWP968
- | | | |
|--------|--|---------|
| TWP969 | Wheel Nut 5/8"-18, swiveling flange | \$4.99 |
| TWP974 | Flange Wheel Nut 5/8"-18, zinc | \$2.99 |
| TWP968 | Wheel Nut 5/8"-18, 90° cone, 1 1/16" wrench size | \$1.29 |
| TWP880 | Clamp Ring for 8 - 5/8" studs on 6 1/2" circle | \$64.95 |

Lug Nut Kits



TAP9632



- Retail packaged kits

| ITEM# | Description | Price |
|---------|--|---------|
| TAP9632 | (6) Lug nuts, 1/2"-20, 1 3/16" wrench size | \$8.99 |
| TAP9722 | (8) Lug nuts, 5/16"-18, 7/8" wrench size | \$11.58 |
| TAP9682 | (8) Lug nuts, 5/8"-18, 1 1/16" wrench size | \$13.88 |

Wheel Valve Stems



TWP953



TWP954



TWP956

- TWP953 & 954: Fits most trailer wheels up to 15"
- TWP956: Fits most 16" & 17" & 17.5" wheels, mobile home wheels, and wheels with "LT" tires

| | | | | |
|---------------|---------------------|----------|-------------|---------------|
| TWP953 | .453 Snap-in | 1¼" long | 65 PSI max | \$1.19 |
| TWP954 | .453 Snap-in | 1¼" long | 80 PSI max | \$2.09 |
| TWP956 | .453 & .625 Bolt-in | 1¼" long | 200 PSI max | \$5.29 |

Stainless Steel Center Caps



- Stainless Steel with chrome finish
- Removable chrome plastic end cover

| ITEM# | Fits most.. | Center Bore | Price |
|---------------|---------------------|-------------|----------------|
| TWP995 | 12-15" 5 lug wheels | 3.19" | \$7.99 |
| TWP994 | other 5 lug wheels | 3.75" | \$8.89 |
| TWP996 | 15-16" 6 lug wheels | 4.25"-4.27" | \$9.99 |
| TWP998 | 16" 8 lug wheels | 4.88"-4.90" | \$10.95 |
| TWP997 | 16" 8 lug wheels | 5.12" | \$13.95 |

Chrome Hubcovers



- Simply snaps on over the lug nuts
- Quick Trim covers provide a finished look on trailer wheels

| ITEM# | Fits | Price |
|---------------|-------------------------|----------------|
| TWP980 | 5 lug on 4½" circle | \$15.95 |
| TWP982 | 6 lug on 5½" circle | \$15.95 |
| TWP984 | 8 lug on 6½" circle, ½" | \$18.95 |
| TWP986 | 8 lug on 6½" circle, ⅜" | \$19.95 |

Heavy Duty Rubber Mudflaps



- ¼" thick rubber construction
- Resists tearing and cutting
- Mount type: bolt on

| | | |
|---------------|-------------------------------|----------------|
| MF1218 | Pair mud flaps, 12" W x 18" L | \$23.95 |
|---------------|-------------------------------|----------------|

Rubber Wheel Chock



- Heavy Duty
- Sharp steps to grip better
- Zinc plated eye bolt

| | | |
|---------------|--------------------------------------|----------------|
| MC3423 | Rubber Wheel Chock, 10"W x 8"D x 6"H | \$29.95 |
|---------------|--------------------------------------|----------------|

Poly Wheel Chock Kit



- Includes 2 wheel chocks

| | | |
|---------------|----------------------|----------------|
| MC3453 | Poly Wheel Chock Kit | \$13.95 |
|---------------|----------------------|----------------|

One Step Wheel Chock



- Throw away those wood blocks & rocks!
- Simply slide in place and step down

| | | |
|---------------|----------------------|----------------|
| MC3462 | One Step Wheel Chock | \$63.95 |
|---------------|----------------------|----------------|



Spare Tire Carrier

TWP978
folding



- Heavy Duty construction
- Black powder coat finish
- Bolts to 4" boxed bumpers
- Fits most 5, 6, or 8-lug wheels
- Easily converts from fixed to fold-down

TWP978 Spare Tire Carrier \$69.95

Bolt-on Spare Tire Carrier



- Heavy duty steel construction
- Zinc plated to resist corrosion
- Adjustable bolt circle to fit 4 & 5 lug wheels
- Fits all trailer tongues up to 3" wide & 4" high

TWP979 Fulton Hi-Mount Spare Tire Carrier \$49.95

U-Bolt Spare Tire Carrier



- Heavy Duty 1/2" diameter, zinc plated
- Fits 8, 9, 12, 13, 14 and 15 inch wheels with 4 or 5 lug rims
- U-bolt fits up to 3" square tube

TWP977 U-Bolt Spare Tire Carrier \$17.95

E-track Spare Tire Carrier



THE417 E-track Mounted Spare Tire Carrier \$14.95

Easy Jack



- Pull trailer onto the EZ Jack to lift the tire you wish to change
- Designed to provide a firm grip on any surface
- Can also be used to level RV's and trailers on uneven surfaces
- Excellent wheel chock when in the reversed position
- Provides 5" of elevation
- Made of rugged cast aluminum
- Use on a loaded trailer may void axle warranty

HAJEZ Easy Jack, rated up to 20,000 lb \$89.95

Wheel Chock Lock



- 11 1/4" open, 7" closed, 10 1/2" reach
- Fits the following sizes:
 - 16.5 x 6.5 -8
 - 4.8" -R12
 - 7.5" -R16
 - 195/75/R14
 - 205/60/R15
 - 205/70/R15
 - 215/70/R15
 - 225/75/R15
 - 235/75/R15
 - 235/80/R16
 - 33" x 12.5" /R15

HALW337 Wheel chock lock \$89.95